

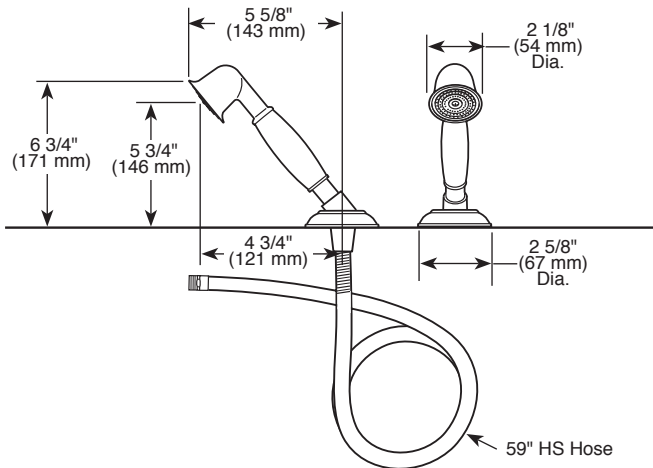
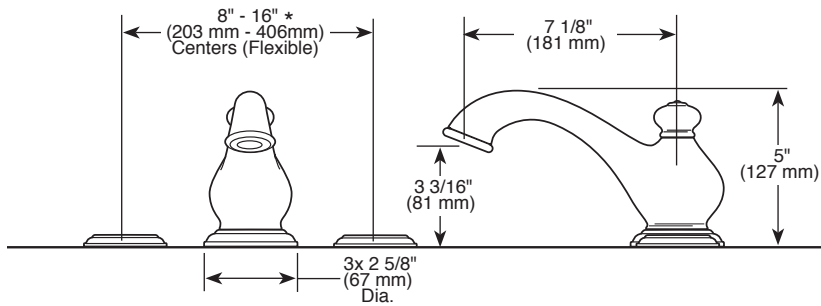
T2778-LHP

T4778-LHP

Submitted Model No.: _____

Specific Features: _____

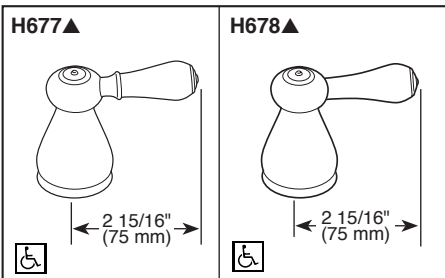
T2778 & T4778



*Recommend 10-16" centers to ensure full handle clearance.

▲ Designate Proper Finish Suffix

Available LHP Handle Options



**ROMAN
TUB/WHIRLPOOL
FAUCET TRIM**

- Leland® Bath Collection
- Two Handle Roman Tub Faucet
- Three Hole Installation (T2778 Series)
- Four Hole Installation (T4778 Series)

STANDARD SPECIFICATIONS:

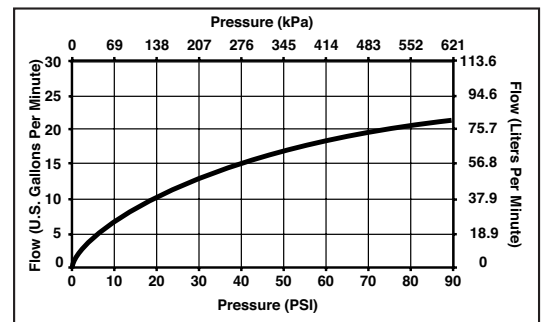
- Two handle Roman Tub faucet for concealed mounting
- LHP-Less Handle Program. See handle options below
- Temperature and volume controlled with handles
- Rough-In kit must also be ordered to complete installation. There are separate specification sheets on each rough-in kit if more details are required
- Handshower includes double check valves for backflow prevention

WARRANTY

- Lifetime limited warranty on parts (other than electronic parts and batteries) and finishes: or, for commercial users, for 5 years from date of purchase.
- 5 year limited warranty on electronic parts (other than batteries); or, for commercial users, for 1 year from the date of purchase. No warranty is provided on batteries.

COMPLIES WITH:

- ASME A112.18.1 / CSA B125.1
- ♿ Indicates ADA compliance to ICC/ANSI A117.1



55 E. 111th Street, Indianapolis, IN 46280
350 South Edgeware Rd, St. Thomas, ON N5P 4L1
© 2015 Masco Corporation of Indiana

Delta reserves the right (1) to make changes in specifications and materials, and (2) to change or discontinue models, both without notice or obligation. Dimensions are for reference only. See current full-line price book or www.deltafaucet.com for finish options and product availability.

DSP-B-T2778-LHP Rev. B